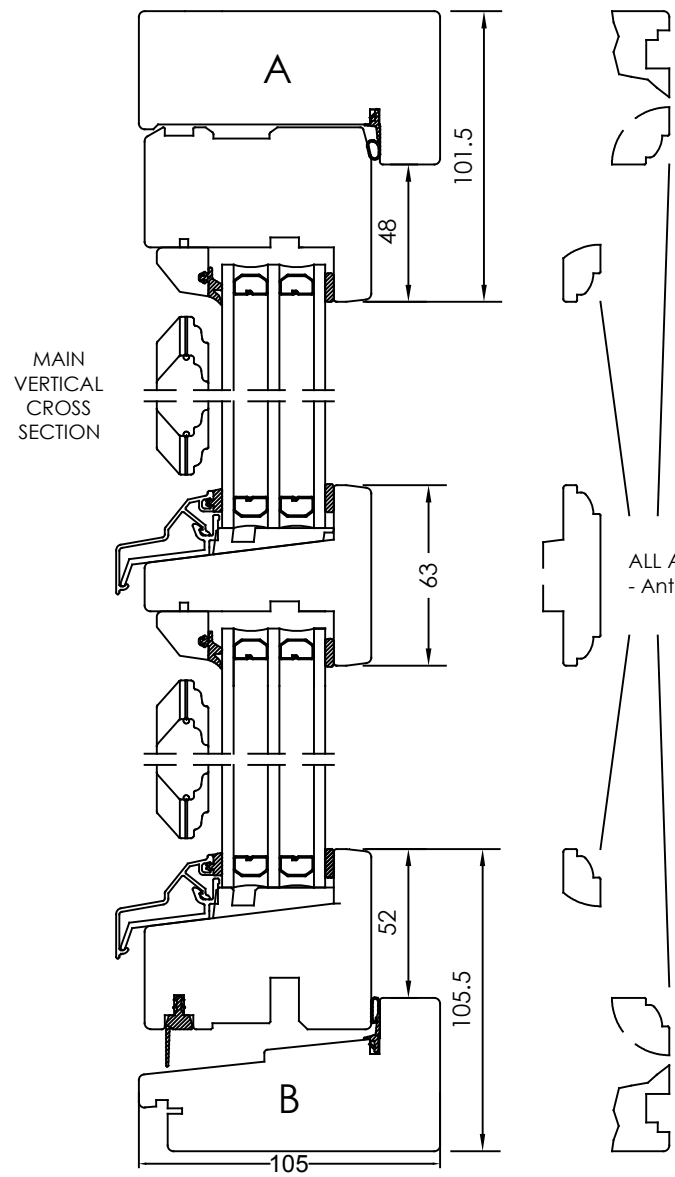
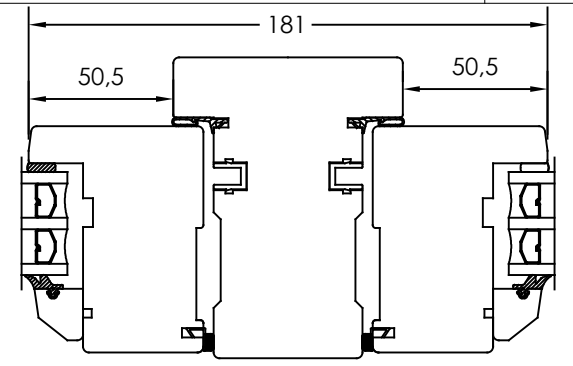
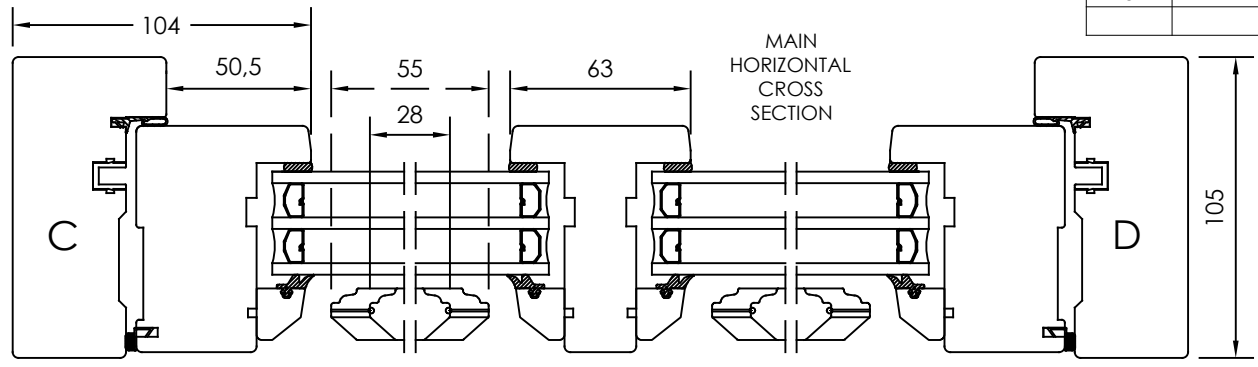
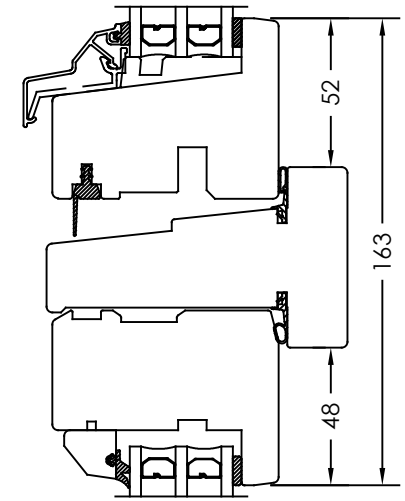


Rev	Description	Rev. by	Date

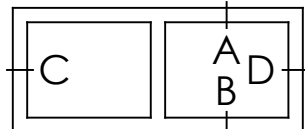


ALL AROUND OPTION
- Internal slot.

ALL AROUND OPTION
- Antique internal design.



CS = CROSS SECTION



Designed by SH	Designed date 2019-05-14	Product Category Window Outward	Processing Code
Approved by	Approved date	Product Type Top Swing	Material

	Vrid	Tolerances unless otherwise specified	View orientation
	3-glas, glaslist 1	ISO 2768-1 m	
	Top swing	Article Number	Scale
3-glass, glazing bead 1	Drawing Number	Revision	
	61-37-V001 E	(A)	